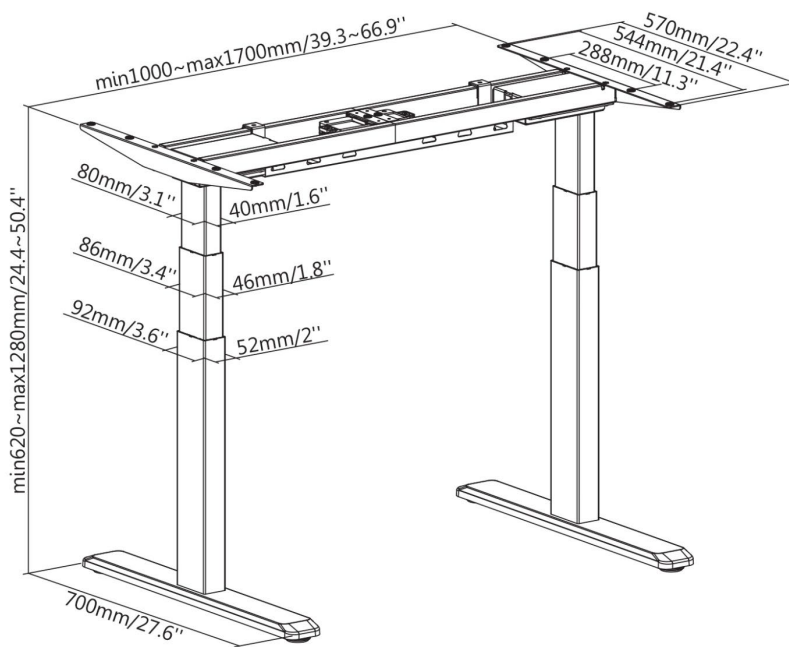


ERGONOMIC DESKS

Complete motorized desks



Combinations to choose from:
 3 frame colours: white, grey or black
 4 desktop sizes (white or walnut)
 Dimensions: 120, 150, 160, 180 x 75 cm

TECHNICAL SPECIFICATIONS

Reference			Desktop colour	Desktop dimensions (cm)	Adjustable Height (cm)	Manufacturing material	Weight product only (kg)	Weight with packaging (kg) 2 packages	Packaging dimensions (cm) 2 packages	Motor
Frame colour										
<input type="checkbox"/>	<input type="checkbox"/>	<input type="checkbox"/>	<input type="checkbox"/>	120 x 75 x 2.5	62 to 128	Melamine covered wooden top, Steel frame	51.5	53	111 x 30 x 22 128 x 82 x 6	Input : AC230V 50/60Hz Max 3,15A Output : DC24V 200VA Duty cycle : 2 min ON 18 min OFF
150-2312K2	150-2412K2	150-2512K2		150 x 75 x 2.5			54	56	111 x 30 x 22 158 x 82 x 6	
150-2315K2	150-2415K2	150-2515K2		160 x 75 x 2.5			55	57	111 x 30 x 22 168 x 82 x 6	
150-2318K2	150-2418K2	150-2518K2		180 x 75 x 2.5			58	61	111 x 30 x 22 188 x 82 x 6	
150-2312K3	150-2412K3	150-2512K3	<input type="checkbox"/>	120 x 75 x 2.5	62 to 128	Melamine covered wooden top, Steel frame	51.5	53	111 x 30 x 22 128 x 82 x 6	
150-2315K3	150-2415K3	150-2515K3		150 x 75 x 2.5			54	56	111 x 30 x 22 158 x 82 x 6	
150-2318K3	150-2418K3	150-2518K3		180 x 75 x 2.5			58	61	111 x 30 x 22 188 x 82 x 6	