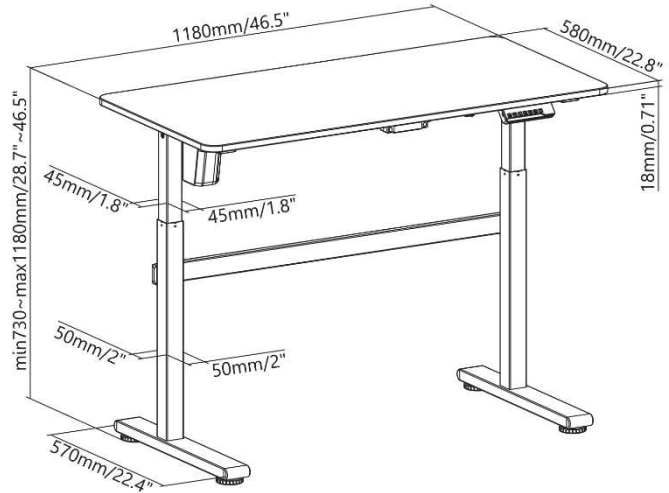


150-5001 Complete motorized sit-stand desk 118x58cm White



150-0004 4 optional castors

TECHNICAL SPECIFICATIONS

Reference	Colour	Desktop dimensions (cm)	Adjustable Height (cm)	Manufacturing material	Weight product only (kg)	Weight with packaging (kg)	Dimensions of the packaging (cm)	Motor
150-5001	□	118 x 58 x 1.8	73 to 118	Melamine covered wooden top with plastic edges, Steel frame	28	29.4	128 x 66 x 19	Quantity: 1 Power: 100-240V Speed: 38mm/s