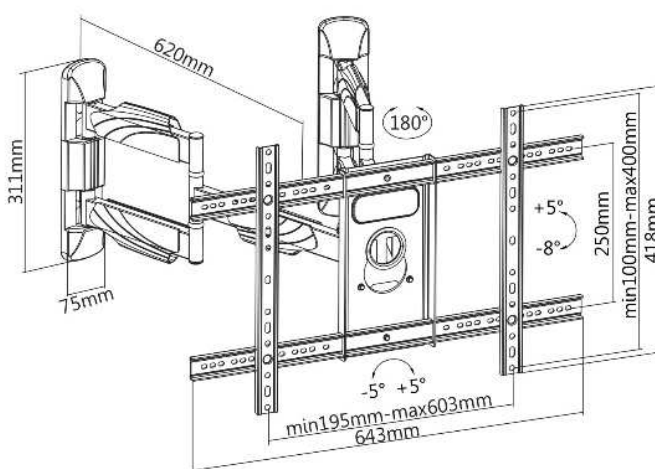


## TV WALL MOUNTS

### Articulated corner wall mount

**kimex**

**013-5264** Adjustable corner wall mount 37"-75"



## TECHNICAL SPECIFICATIONS

Reference	013-5264
Screen size	37"-75"
VESA compatibility (mm)	200x200 min, 600x400 max
Max screen weight	45 kg
Wall-screen distance	62 cm max
Tilt (up-down)	+5 / -8°
Rotation (left-right)	+/- 90°
Swivel (horizontal)	+/- 5°
Cable management	Yes
Anti-theft system	No
Colour	■
Manufacturing material	Steel
Weight product only (kg)	7
Weight with packaging (kg)	7.5
Product dimensions (cm)	63 x 43 x 62
Dimensions of the packaging (cm)	80 x 33 x 9