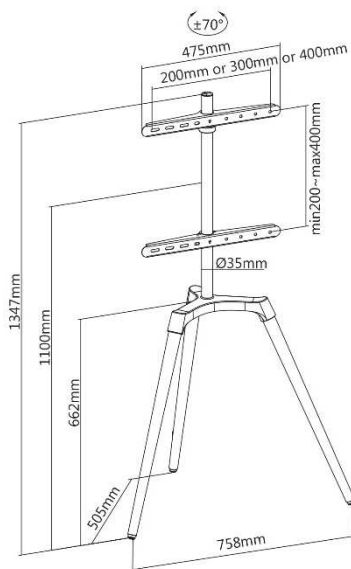


TV FLOOR STANDS

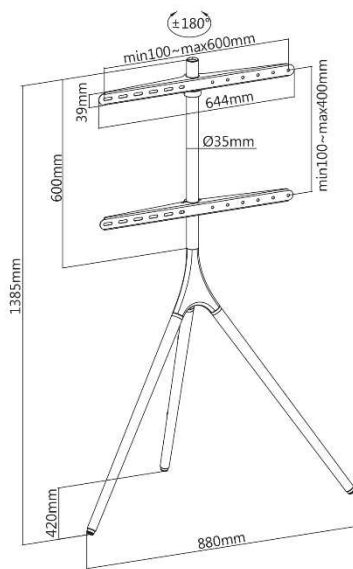
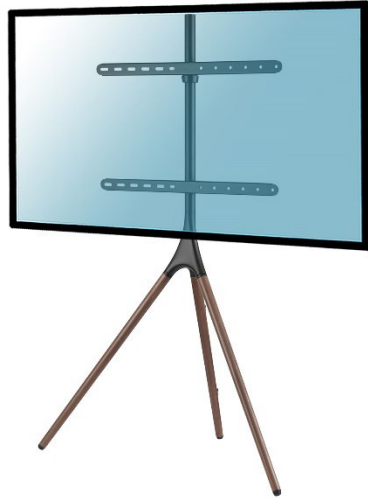
Easel floor stand

kimex

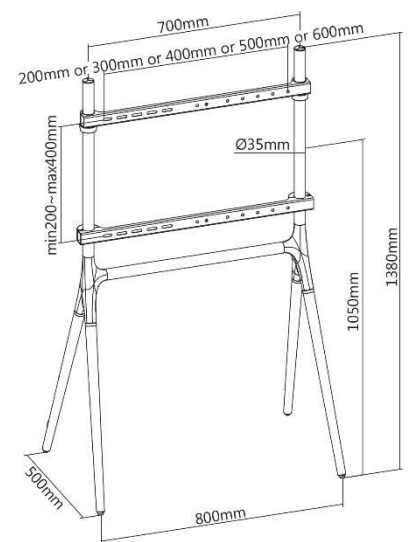
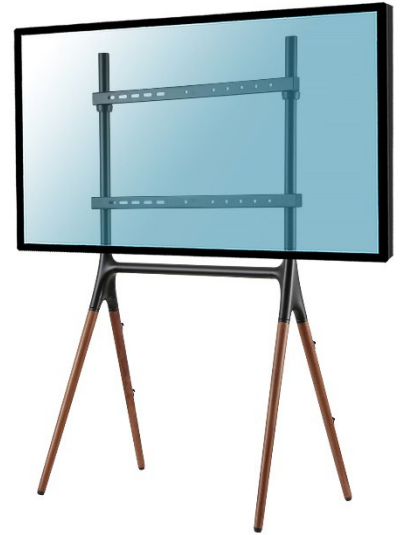
030-4044 Stylish Scandinavian
easel floor stand for 50"-65" TV
white/beech



030-4164 Stylish Scandinavian easel
floor stand for 45"-65" TV
black/walnut



030-4165 Stylish Scandinavian easel
floor stand for 49"-70" TV
black/walnut



TECHNICAL SPECIFICATIONS

Reference	030-4044	030-4164	030-4165
Screen size	50"-65"	45"-65"	49"-70"
VESA compatibility (mm)	200x200 min, 400x400 max	200x200 min, 600x400 max	200x200 min, 600x400 max
Max screen weight	35 kg	32 kg	40 kg
Screen centre height	110 cm max	110 cm max	105 cm max
Rotation (left-right)	+/-70°	+/-180°	No
Colour	□ ■	■ ■	■ ■
Manufacturing material	Steel, Aluminium, Wood	Steel, Aluminium, Wood	Steel, Aluminium, Wood
Weight product only (kg)	6	5.8	8.5
Weight with packaging (kg)	6.8	6.2	9.7
Product dimensions (cm)	75.8 x 50.5 x 134.7	138.5 x 88 x 42	138 x 80 x 50
Dimensions of the packaging (cm)	77.5 x 34.5 x 14.2	98.5 x 20.7 x 14.7	84 x 30 x 19.8